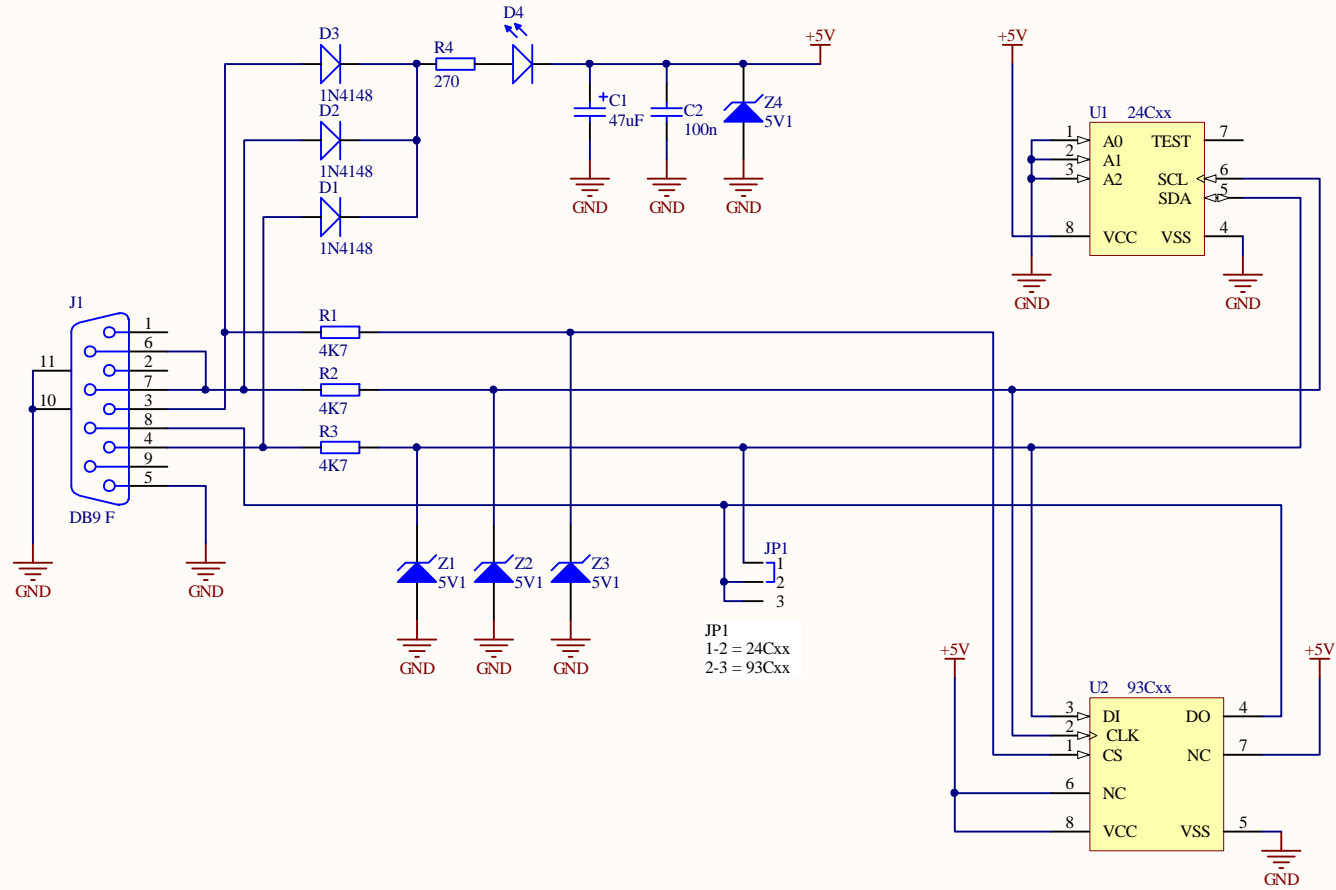


PonyProg 24Cxx 93Cxx



1

2

3

4

1

2

3

4

A

A

B

B

C

C

D

D

